

Ball Valves

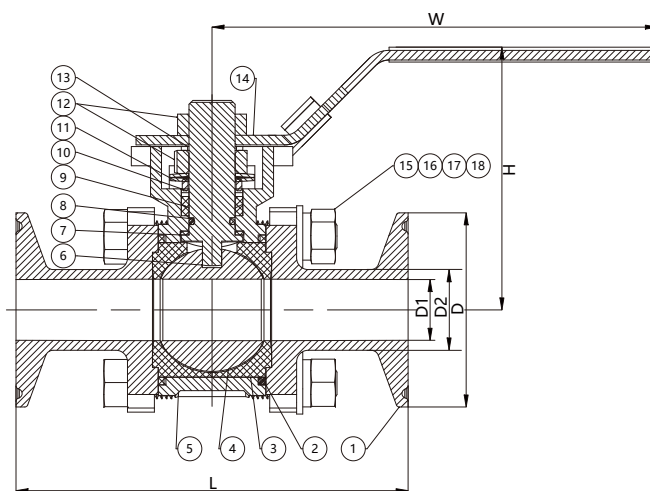
PN16/232PSI

Three-Piece, Clamp Connection
 Seal Material Comply to FDA177.1210/2600
 Dimensions to ISO2852, DIN32676
 Temperature Range: -20°C~120°C/-4°F~248°F



BL7126-C

| Materials | | |
|-----------|-----------------|---------------|
| No. | Part | Specification |
| 1 | Bonnet | ANSI 304/316L |
| 2 | Spacer Ring | PTFE |
| 3 | Seat | PTFE |
| 4 | Ball | ANSI 304/316L |
| 5 | Body | ANSI 304/316L |
| 6 | Stem | ANSI 304/316 |
| 7 | Stem Washer | PTFE |
| 8 | O-Ring | EPDM |
| 9 | Packing | PTFE |
| 10 | Packing Bushing | ANSI 304 |
| 11 | Spring | ANSI 304 |
| 12 | Hexagonal Nut | ANSI 304 |
| 13 | Handle Gasket | ANSI 304 |
| 14 | Handle | ANSI 304 |
| 15 | Hexagon Bolt | ANSI 304 |
| 16 | Gasket | ANSI 304 |
| 17 | Elastic Gasket | ANSI 304 |
| 18 | Hexagonal Nut | ANSI 304 |



- * The valve body material can be selected as 304 or 316.
- Clean system seat seals are available in half or full wrap.
- ISO 5211 mounting pad is a non-standard configuration and must be confirmed when ordering.

| Dimensions (ISO/DIN) | | | | | | | | |
|----------------------|--------------|--------------|--------------|---------------|--------------|-------|---------|------------|
| Size/In | L ISO/DIN | W ISO/DIN | D ISO/DIN | D1 ISO/DIN | H ISO/DIN | D2 | ISO5211 | Torque N.m |
| ½ | 90/102 | 131 | 34 | 9.7/16 | 62/69 | 12.7 | F03/F04 | 8 |
| ¾ | 102 | 131 | 34/50.5 | 16.1/20 | 69 | 19.1 | F03/F04 | 8 |
| 1 | 115 | 170 | 50.5 | 22.4/25 | 91 | 25.4 | F04/F05 | 18 |
| 1¼ | 125 | 170 | 50.5 | 28.8/32 | 97 | 31.8 | F04/F05 | 18 |
| 1½ | 138 | 180 | 50.5 | 35.1/38 | 117 | 38.1 | F05/F07 | 25 |
| 2 | 156 | 217 | 64 | 47.8/49 | 125 | 50.8 | F05/F07 | 30 |
| 2½ | 170/180 | 250/325 | 77.5/91 | 59.5/66 | 141 | 63.5 | F07/F10 | 40 |
| 3 | 197/220 | 325 | 91/106 | 72.1/81 | 156 | 76.2 | F07/F10 | 50 |
| 4 | 242 | 325 | 119 | 97.6/100 | 173 | 101.6 | F07/F10 | 80 |

◆Please consult the factory for 3A and other standard sizes such as ASME BPE, BS4825, etc.